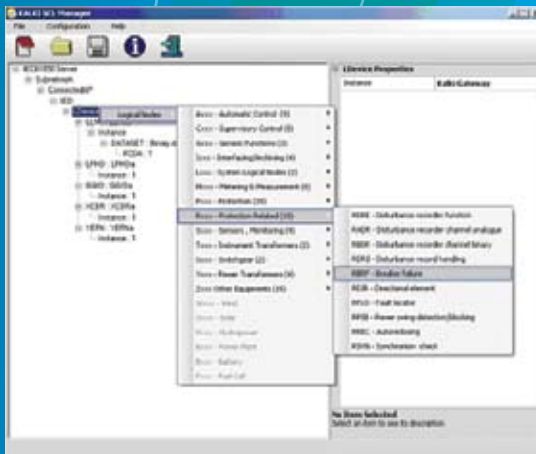


# Make your next Substation Automation Project Fast, Easy and Accurate Using

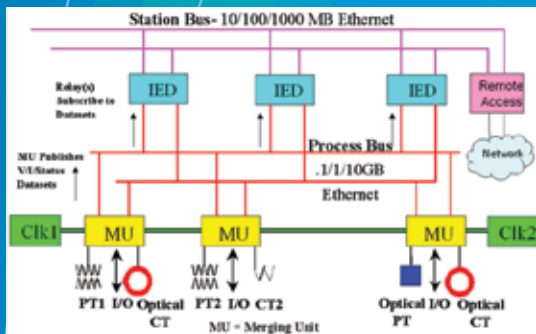
## SCLManager

IEC 61850 Substation Configuration Language (SCL) Configuration and Engineering Software



### SCLManager

- Configure, view and understand your SCL in a structured graphical representation.
- Configure IEC-61850 data models for your IED from standard data templates.
- Grouping of Substation data into data sets.
- Configure IEC-61850 communication schemes.
- Configuring buffered and un-buffered report control blocks for IED.
- Configuring Generic Object Oriented Substation Events (GOOSE) for fast updating of data.
- Representing the entire substation architecture using SCL (future).
- Combine different ICD files into a single SCL file.
- SCL Validation – Validate the syntax of your SCL.
- Create Private Data Models.



- formal description of the communication in a substation
- formal description of the substation automation system and the switchyard including the relation between them
- Object oriented data modeling
- Structured representation of all substation data
- Clear description of the IED configuration
- Provides for a set of standard files that can be exchanged between various configuration tools.
- Provides ample and efficient means to represent single line diagrams.

